



# Product Guide      Field compostable Soil Sealing Barrier

## Supported Hotmelt Adhesive to Papercarrier & 1.6MIL Corn Based PLA

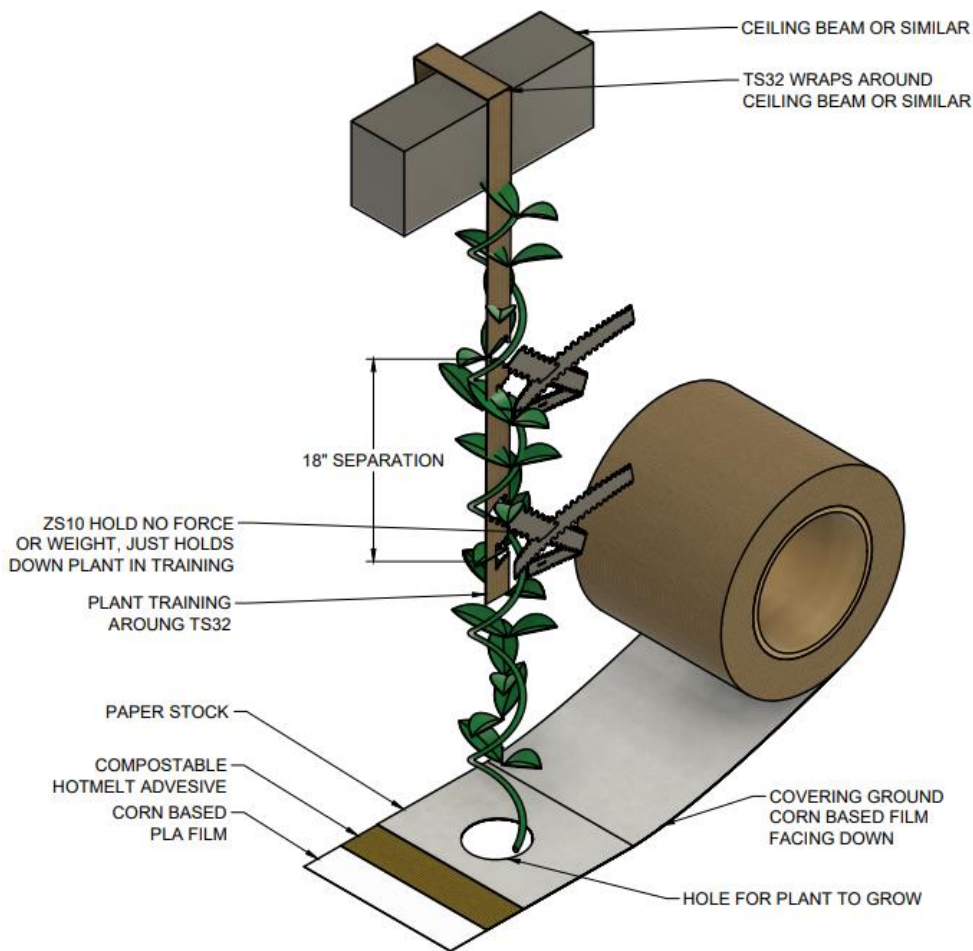
Version: 1  
 Date: 1/2023  
 Approved by:  
 Pedro Betancourt

### Product Description

Consists of a Carrierboard laminated on both sides with compostable pressure sensitive adhesive and clear corn-based film. Designed for interior or exterior applications.

### Product Construction

- **Paper:** Paper Carrierboard
- **Adhesive:** Compostable HotMelt
- **PLA:** Clear Corn Based Film
- **Roll Width:** unknown



Features

Benefits

Applications